

The rotary valve is used for continuous discharge of granular and powdered materials, for example from filters and cyclones. The RS type rotary valve is a compact unit with direct-mounted hollow shaft gear and motor. The housing and end covers are made of cast iron, and the rotor is welded in steel.

The rotor has end gables and a domed base, to ensure that it is leak-tight and that the rotary valve is emptied completely. The rotor is suspended partly in the hollow shaft gear and partly in a life-time lubricated flanged bearing bolted onto the end cover. The rotary valve is available in four standard sizes, all

with a fixed-speed motor. The rotary valves are delivered fully assembled from our factory.

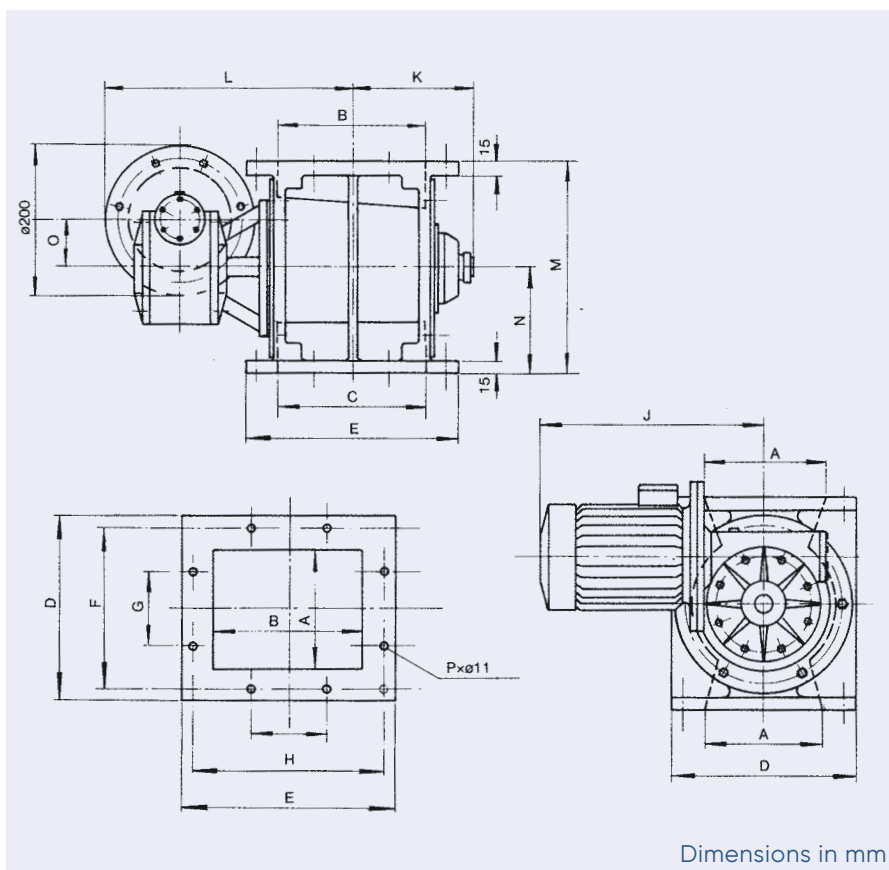
ANDRITZ

ENGINEERED SUCCESS

ACCESSORIES AND SPECIAL EQUIPMENT

The standard design can be tailored to any specific purpose by means of:

- Extended bearing construction for high temperatures
- Special surface treatment
- Motor specified for purpose
- Rotor with special scraper blades, with wearing rubber or in stainless steel
- Speed guard
- Counterflanges
- Connection to filter, for example



INLET DIMENSIONS

Type RS	A	B	C	D	E	F	G	H	I	J	K	L	M	N	O	P
5-200/200	160	200	188	246	286	216	100	256	100	300	160	330	280	140	62	8
10-250/250	200	250	238	286	336	256	100	306	150	335	205	398	330	165	86	8
20-315/315	280	315	300	366	401	336	112	371	125	352	235	431	400	200	86	12
40-400/400	355	400	380	441	486	411	137	456	152	399	285	501	490	245	110	12

TECHNICAL DATA

Type RS	rpm	Power consumption kW	Weight, incl. geared motor kg	Volume, seaworthy packing m ³
5-200/200	30	0.55	80	0.2
10-250/250	30	0.75	110	0.3
20-315/315	30	1.10	150	0.4
40-400/400	22	1.50	250	0.5

ANDRITZ Feed and Biofuel A/S

andritz-fb.dk@andritz.com

p: +45 72 160 300 / andritz.com/ft



All data, information, statements, photographs and graphic illustrations in this leaflet are without any obligation and raise no liabilities to or form part of any sales contracts of ANDRITZ AG or any affiliates for equipment and/or systems referred to herein. © ANDRITZ AG 2018. All rights reserved. No part of this copyrighted work may be reproduced, modified or distributed in any form or by any means, or stored in any database or retrieval system, without the prior written permission of ANDRITZ AG or its affiliates. Any such unauthorized use for any purpose is a violation of the relevant copyright laws. ANDRITZ AG, Stattegger Strasse 18, 8045 Graz, Austria.

